

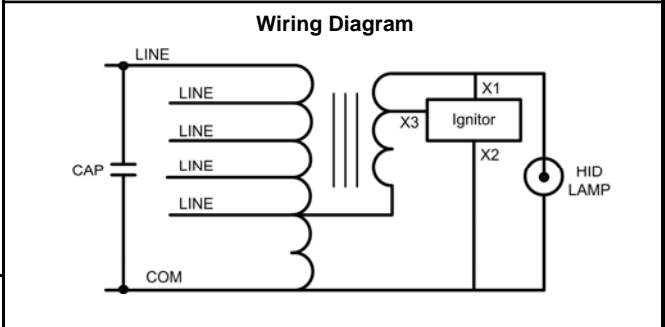
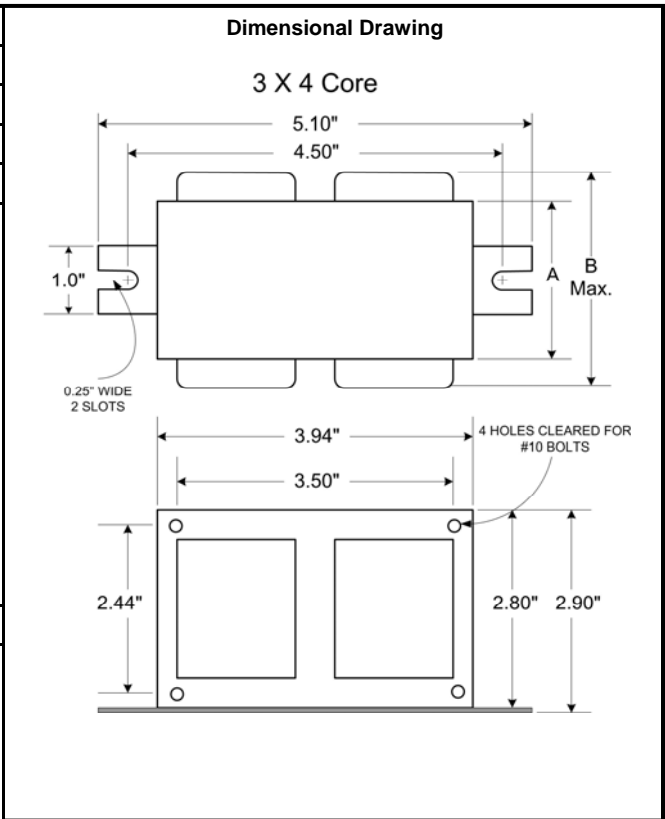
Thomas Research Products

Innovative & Energy Saving Lighting Controls

Catalog Number: TMH-70X-Q-B

**Pulse Start Metal Halide Ballast
70W M98 Lamps
Quad-Volt Input - 60 Hz - HX-HPF Circuit**

Input Volts	120	208	240	277	
Line Current (Amps)					
Operating	0.82	0.47	0.41	0.35	
Open Circuit	1.75	1.00	0.85	0.75	
Starting	0.82	0.47	0.41	0.35	
UL Temperature Ratings					
Insulation Class	H-180°C				
Coil Temperature Code	UL 1029 A				
Power Factor (Min)	90%				
Regulation					
Line Volts	± 5%				
Line Watts	± 12%				
Input Watts	93				
Min Ambient Starting Temp	-30°C				
Open Circuit Voltage (OCV)	260V				
Recommended Fuse	5	3	3	2	
Core and Coil Dimensions					
Dimension A	1.54"				
Dimension B	2.91"				
Weight (lbs)	4.7 lbs				
Lead Length	12"				
Capacitor Information					
MFD Rating	8 MFD				
Voltage Rating	280V				
Capacitor Style	Dry Film				
60 Hz Test Procedures					
Open Circuit Voltage Test (OCV)	230 - 290V				
Short Circuit Current Test - Output	0.95 - 1.15A				
Short Circuit Current Test - Input	0.55-0.90	0.30-0.55	0.27-0.45	0.25-0.40	



Capacitor Detail

Capacitance: 8 MFD
 Case Dia.: 1.13"
 Height: 2.75"
 Temp Rating: 100°C

Ignitor Detail

Ignitor TXG-04
 Temp Rating 105°C
 Ballast-to Lamp Distance 10 feet

Notes and Photo

01-01-08