

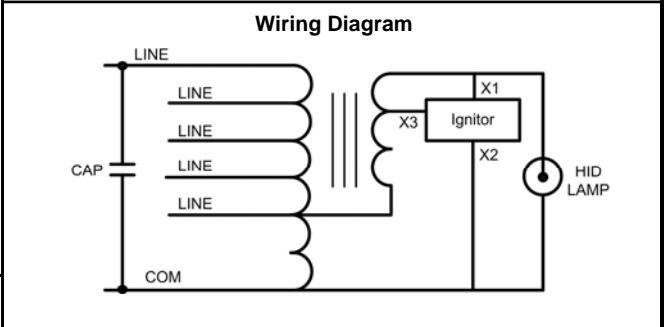
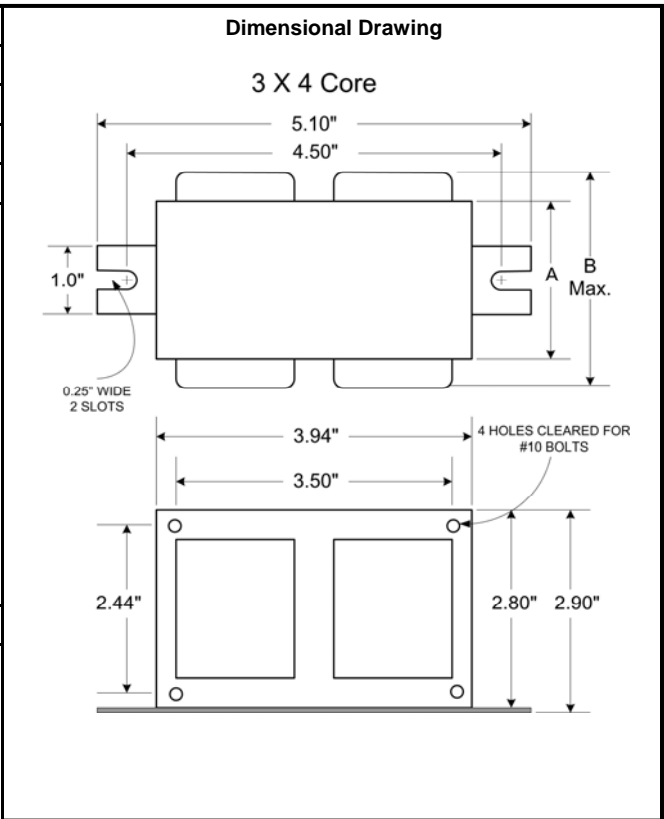
Thomas Research Products

Innovative & Energy Saving Lighting Controls

Catalog Number: TMH-50X-D-B

**Pulse Start Metal Halide Ballast
50W M110 Lamps
Dual-Volt Input - 60 Hz - HX-HPF Circuit**

Input Volts	120	277			
Line Current (Amps)					
Operating	0.70	0.27			
Open Circuit	1.25	0.55			
Starting	0.80	0.30			
UL Temperature Ratings					
Insulation Class	H-180°C				
Coil Temperature Code	UL 1029 A				
Power Factor (Min)	90%				
Regulation					
Line Volts	± 5%				
Line Watts	± 12%				
Input Watts	67				
Min Ambient Starting Temp	-30°C				
Open Circuit Voltage (OCV)	270V				
Recommended Fuse	4	2			
Core and Coil Dimensions					
Dimension A	1.04"				
Dimension B	2.41"				
Weight (lbs)	3.2 lbs				
Lead Length	12"				
Capacitor Information					
MFD Rating	6 MFD				
Voltage Rating	280V				
Capacitor Style	Dry Film				
60 Hz Test Procedures					
Open Circuit Voltage Test (OCV)	240 - 300V				
Short Circuit Current Test - Output	0.70 - 0.90A				
Short Circuit Current Test - Input	0.50 - 0.80	0.20 - 0.35			



Capacitor Detail

Dry Film Cap
 Capacitance: 6 MFD
 Case Dia.: 1.00"
 Height: 2.75"
 Temp Rating: 100°C

Ignitor Detail

Ignitor TXG-04
 Temp Rating 105°C
 Ballast-to Lamp Distance 10 feet

Notes and Photo

01-01-08