



# Thomas Research Products

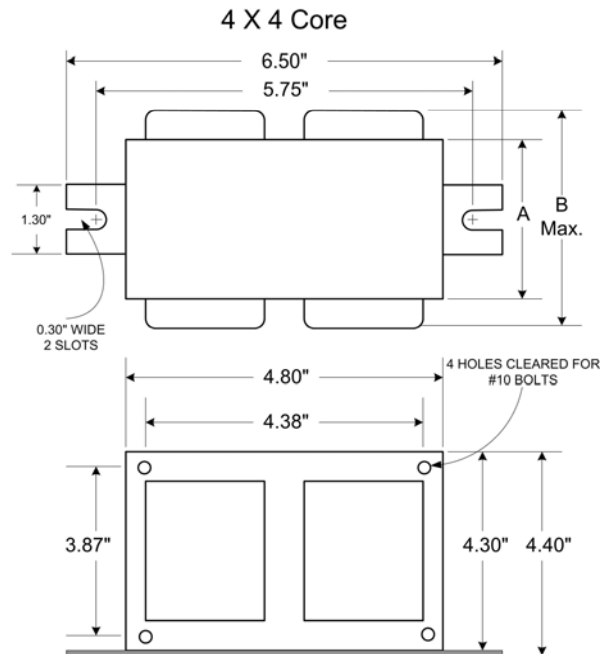
Innovative & Energy Saving Lighting Controls

**Catalog Number: TMH-400X-Q-HP-B**

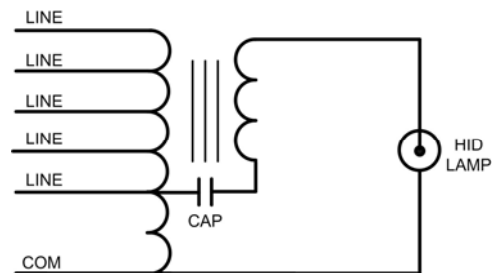
**Metal Halide Ballast  
400W M59 Lamps  
Quad-Volt Input - 60 Hz - CWA Circuit**

Input Volts	120	208	240	277	
Line Current (Amps)					
Operating	4.20	2.44	2.10	1.80	
Open Circuit	2.50	1.90	1.25	1.10	
Starting	3.50	2.00	1.75	1.50	
UL Temperature Ratings					
Insulation Class	H-180°C				
Coil Temperature Code UL 1029	E				
Power Factor (Min)	90%				
Regulation					
Line Volts	± 10%				
Line Watts	± 10%				
Input Watts	450 W				
Min Ambient Starting Temp	-30°C				
Open Circuit Voltage (OCV)	300 V				
Recommended Fuse	10	8	5	5	
Core and Coil Dimensions					
Dimension A	2.03"				
Dimension B	3.70"				
Weight (lbs)	12.0 lbs				
Lead Length	12"				
Capacitor Information					
MFD Rating	24 MFD				
Voltage Rating	400V				
Capacitor Style	Dry Film				
60 Hz Test Procedures					
Open Circuit Voltage Test (OCV)	270 - 330V				
Short Circuit Current Test - Output	3.60 - 4.40A				
Short Circuit Current Test - Input	2.80 - 4.20	1.60 - 2.40	1.40 - 2.10	1.20 - 1.80	

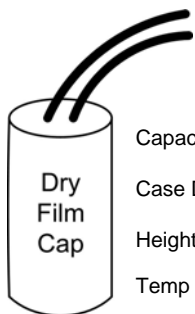
### Dimensional Drawing



### Wiring Diagram



### Capacitor Detail



Capacitance: 24 MFD  
Case Dia.: 1.75"  
Height: 3.25"  
Temp Rating: 90 °C

### Ignitor Detail

Ignitor not required

### Notes and Photo



01-01-08