



Thomas Research Products

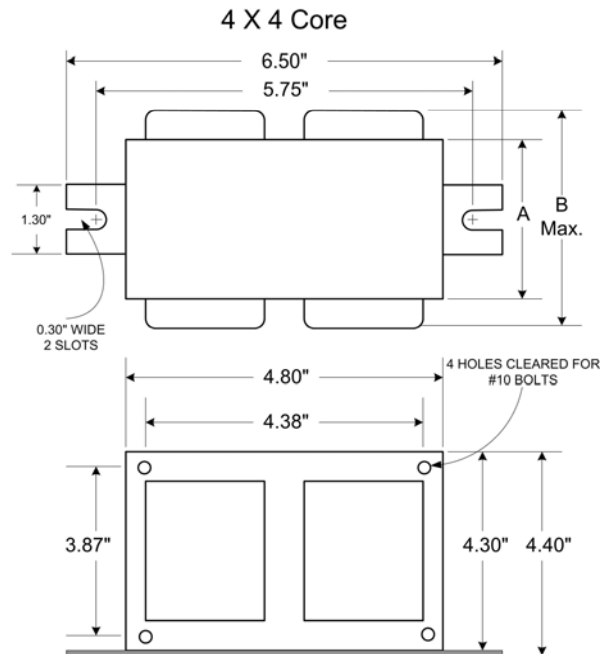
Innovative & Energy Saving Lighting Controls

Catalog Number: TMH-250X-Q-HP-B

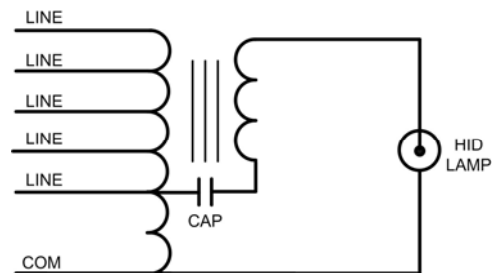
**Metal Halide Ballast
250W M58 Lamps
Quad-Volt Input - 60 Hz - CWA Circuit**

Input Volts	120	208	240	277	
Line Current (Amps)					
Operating	2.50	1.50	1.30	1.11	
Open Circuit	1.40	0.80	0.70	0.60	
Starting	2.40	1.40	1.20	1.00	
UL Temperature Ratings					
Insulation Class	H-180°C				
Coil Temperature Code	UL 1029 B				
Power Factor (Min)	90%				
Regulation					
Line Volts	± 10%				
Line Watts	± 10%				
Input Watts	292 W				
Min Ambient Starting Temp	-30°C				
Open Circuit Voltage (OCV)	300 V				
Recommended Fuse	8	5	4	3	
Core and Coil Dimensions					
Dimension A	1.52"				
Dimension B	3.15"				
Weight (lbs)	12.0 lbs				
Lead Length	12"				
Capacitor Information					
MFD Rating	15MFD				
Voltage Rating	400V				
Capacitor Style	Dry Film				
60 Hz Test Procedures					
Open Circuit Voltage Test (OCV)	270-330V				
Short Circuit Current Test - Output	2.25-2.75A				
Short Circuit Current Test - Input	2.00-2.60	1.15-1.50	1.00-1.30	0.90-1.10	

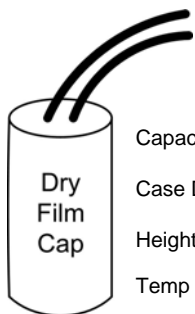
Dimensional Drawing



Wiring Diagram



Capacitor Detail



Capacitance: 15 MFD
Case Dia.: 1.75"
Height: 3.25"
Temp Rating: 90 °C

Ignitor Detail

Ignitor not required

Notes and Photo



01-01-08