



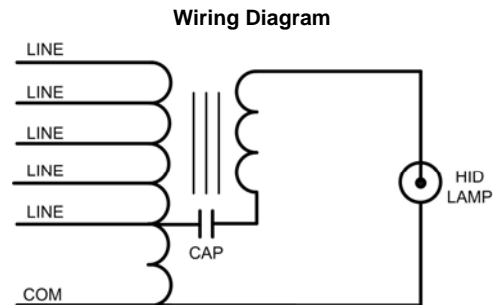
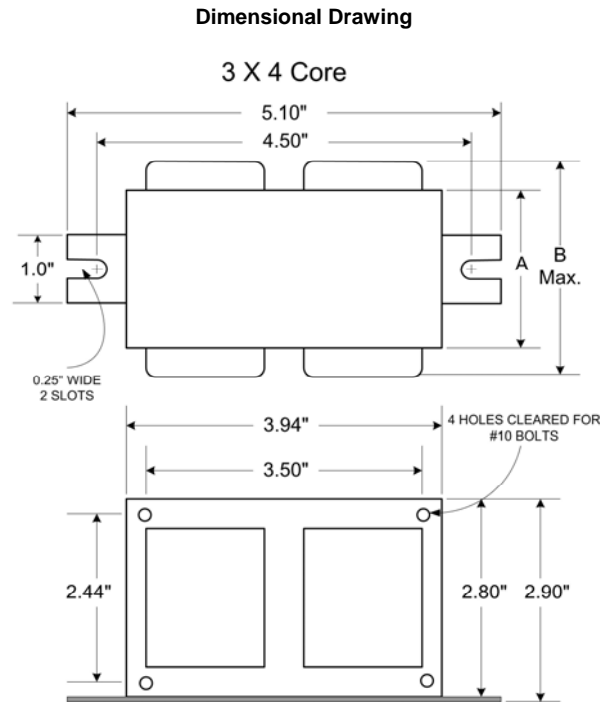
Thomas Research Products

Innovative & Energy Saving Lighting Controls

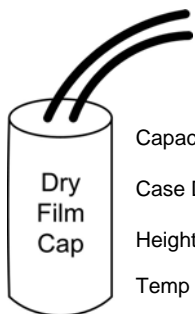
Catalog Number: TMH-175X-Q-HP-B

**Metal Halide Ballast
175W M57 Lamps
Quad-Volt Input - 60 Hz - CWA Circuit**

Input Volts	120	208	240	277	
Line Current (Amps)					
Operating	1.90	1.10	0.95	0.80	
Open Circuit	1.90	1.10	0.95	0.80	
Starting	1.40	0.80	0.70	0.60	
UL Temperature Ratings					
Insulation Class	H-180°C				
Coil Temperature Code	UL 1029 B				
Power Factor (Min)	90%				
Regulation					
Line Volts	± 10%				
Line Watts	± 10%				
Input Watts	205 W				
Min Ambient Starting Temp	-30°C				
Open Circuit Voltage (OCV)	296 V				
Recommended Fuse	5	4	3	2	
Core and Coil Dimensions					
Dimension A	2.42"				
Dimension B	3.86"				
Weight (lbs)	7.5 lbs				
Lead Length	12"				
Capacitor Information					
MFD Rating	10 MFD				
Voltage Rating	400V				
Capacitor Style	Dry Film				
60 Hz Test Procedures					
Open Circuit Voltage Test (OCV)	260 - 320V				
Short Circuit Current Test - Output	1.55 - 1.95A				
Short Circuit Current Test - Input	0.90 - 1.50	0.50 - 0.85	0.45 - 0.75	0.40 - 0.65	



Capacitor Detail



Capacitance: 10 MFD
Case Dia.: 1.75"
Height: 3.25"
Temp Rating: 100°C

Ignitor Detail

Ignitor not required

Notes and Photo



01-01-08