

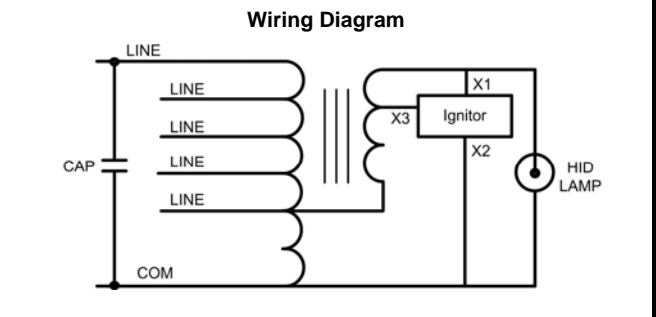
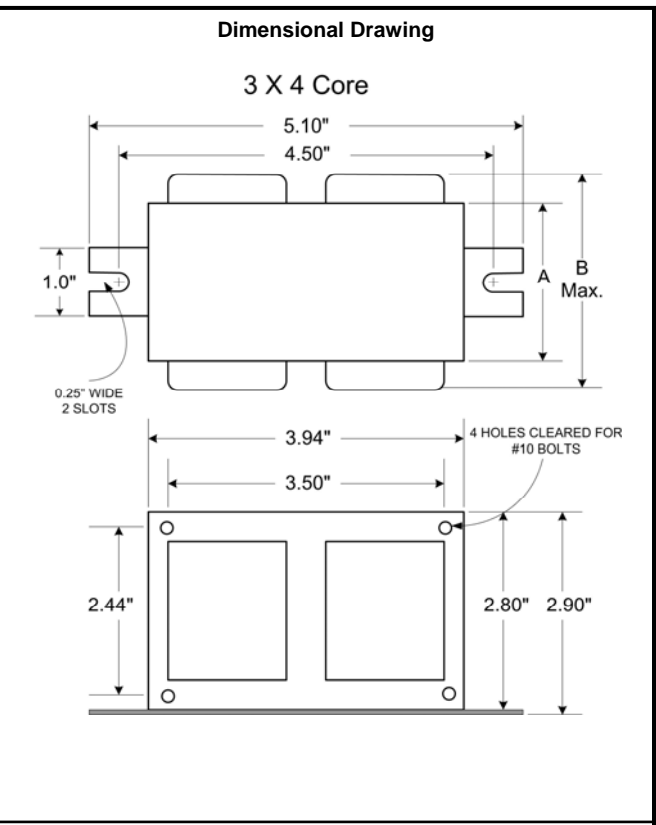
# Thomas Research Products

Innovative & Energy Saving Lighting Controls

**Catalog Number: THPS-150X-Q-B**

**High Pressure Sodium Ballast  
150W S55 Lamps  
Quad-Volt Input - 60 Hz - HX-HPF Circuit**

Input Volts	120	208	240	277	
Line Current (Amps)					
Operating	1.68	0.97	0.84	0.73	
Open Circuit	3.00	1.75	1.50	1.30	
Starting	1.60	0.95	0.80	0.70	
UL Temperature Ratings					
Insulation Class	H-180°C				
Coil Temperature Code	UL 1029 A				
Power Factor (Min)	90%				
Regulation					
Line Volts	± 5%				
Line Watts	± 12%				
Input Watts	188 W				
Min Ambient Starting Temp	-30°C				
Open Circuit Voltage (OCV)	120V				
Recommended Fuse	10	5	5	4	
Core and Coil Dimensions					
Dimension A	2.58"				
Dimension B	3.86"				
Weight (lbs)	6.9 lbs				
Lead Length	12"				
Capacitor Information					
MFD Rating	14 MFD				
Voltage Rating	280V				
Capacitor Style	Dry Film				
60 Hz Test Procedures					
Open Circuit Voltage Test (OCV)	110-130 V				
Short Circuit Current Test - Output	4.10 - 5.10A				
Short Circuit Current Test - Input	1.30 - 2.00	0.75 - 1.15	0.65 - 1.00	0.55 - 0.85	



#### Capacitor Detail

Capacitance: 14 MFD  
 Case Dia.: 1.38"  
 Height: 3.00"  
 Temp Rating: 100°C

Dry Film Cap

#### Ignitor Detail

Ignitor TXG-01  
 Temp Rating 105°C  
 Ballast-to Lamp Distance 10 feet

#### Notes and Photo

01-01-08