

Thomas Research Products

Innovative & Energy Saving Lighting Controls

LED-30W Series

Switch Mode LED Drivers
Constant Current & Constant Voltage with Isolation
Black Magic Thermal Advantage™ Housing

Total Power: 30 Watts
Input Voltage: 85-305 VAC
Outputs: Single from 4 VDC to 85 VDC
Indoor or Outdoor Applications
Active Power Factor Correction
UL8750 and Class 2 Compliant, as noted
IP66 Compliant

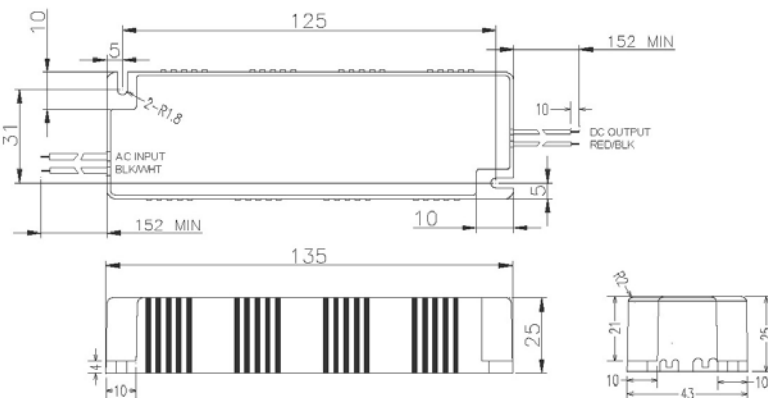
Electrical Specifications

Input Voltage Range:	85—305 VAC
Frequency:	47 to 63 Hz
Power Factor:	>0.94% at full load 115 VAC/230VAC, 60 Hz
Inrush Current:	<15.0 Amps maximum @ 230 VAC, cold start 25°C
Input Current:	0.40 Amps maximum at 115 VAC
Maximum Power:	30W
Current Accuracy:	+/- 1% over input line variation
Load Regulation:	+/- 3%
Leakage Current:	300 uA Typical
Hold Up Time:	Half Cycle
Protection:	Output Over-Voltage, Output Over-Current, and Output Short Circuit Protection with Auto Recovery

Environmental Specifications

Operating Temperature:	-30°C to +60°C
Maximum Case Temp.	90°C
Storage Temperature:	-40°C to +85°C
Humidity:	5% to 95%
Cooling:	Convection
MTBF:	482,000 Hours at full load and 40°C ambient conditions per MIL-217F Notice 2
EMC:	Compliant to CISPR 22 Class B, CISPR 14-1 Class B, GB4343 1-2003, GB17625.1-2003

Dimensions



Constant Current Versions - Product Specifications

Model Number	Output voltage range	Output constant current	Current accuracy	Output power	Max. efficiency
LED30W-85-C0350	28-85 VDC	350 mA	+/-3%	30W	88%
LED30W-75-C0400	25-75 VDC	400 mA	+/-3%	30W	87%
LED30W-66-C0450	22-66 VDC	450 mA	+/-3%	30W	87%
LED30W-42-C0700	14-42 VDC	700 mA	+/-3%	30W	87%
LED30W-36-C0830	12-36 VDC	830 mA	+/-3%	30W	87%
LED30W-24-C1250	8-24 VDC	1250 mA	+/-3%	30W	86%
LED30W-18-C1660	6-18 VDC	1660 mA	+/-3%	30W	85%
LED30W-12-C2500	4-12 VDC	2500 mA	+/-3%	30W	85%

Constant Voltage Versions - Product Specifications

Model Number	Output constant voltage	Output current (max.)	Voltage accuracy	Output power	Max. efficiency
LED30W-85	85 VDC	350 mA	+/-5%	30W	88%
LED30W-75	75 VDC	400 mA	+/-5%	30W	87%
LED30W-66	66 VDC	450 mA	+/-5%	30W	87%
LED30W-42	42 VDC	700 mA	+/-5%	30W	87%
LED30W-36	36 VDC	830 mA	+/-5%	30W	86%
LED30W-24	24 VDC	1250 mA	+/-5%	30W	85%
LED30W-18	18 VDC	1660 mA	+/-5%	30W	85%
LED30W-12	12 VDC	2500 mA	+/-5%	30W	84%

Blue = Class 2 US/Canada Green = Class 2 US



Safety and Regulatory Certifications

UL 8750, CSA 22.2, EN61347, CE, FCC, IP66
Meets EN61000-3-2 and EN61000-3-3 Class C

08-23-10