

Thomas Research Products

Innovative & Energy Saving Lighting Controls

30W TWC-030 Series

Switch Mode LED Drivers - Constant Current
Long Life Model

Total Power: 30 Watts
 Input Voltage: 90-264 VAC
 Outputs: Single from 12 VDC to 85 VDC
 High Efficiency
 Indoor or Outdoor Applications
 Active Power Factor Correction
 IP67 Compliant

Electrical Specifications

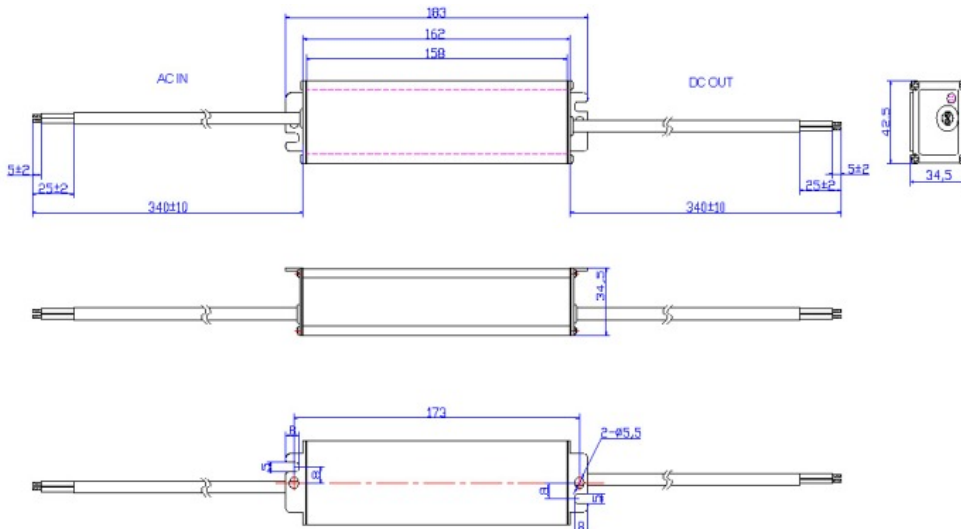
Input Voltage Range: 90 - 264 VAC
 Frequency: 47 to 63 Hz
 Power Factor: >0.85% at full load
 Input Current: 0.43 Amps maximum at 100 VAC
 Efficiency: 83-87% typical at maximum load
 Maximum Power: 30W
 Line Regulation: 1%
 Load Regulation: 3%
 Turn-on Time Delay: 3 Seconds
 Protection: Output Over-Voltage, Output Over-Current, Output Short Circuit Protection with Auto Recovery, Over Temperature Protection
 Operating Temperature: -30°C to +60°C
 Storage Temperature: -40°C to +85°C
 Humidity: 5% to 100%
 Cooling: Convection
 MTBF: 300,000 Hours at full load and 25°C ambient conditions per MIL-HDBK-217F
 Lifetime: 80,000 Hours @ 25°C ambient



Output Current (1)	Max Output Voltage	Typical Efficiency (2)	Part Number
350 mA	42-85 VDC	87%	TWC-030S035SS
450 mA	33-66 VDC	86%	TWC-030S045SS
700 mA	21-42 VDC	86%	TWC-030S070SS
830 mA	18-36 VDC	86%	TWC-030S083SS
1250 mA	12-24 VDC	85%	TWC-030S125SS
1660 mA	9-18 VDC	84%	TWC-030S166SS
2500 mA	6-12 VDC	83%	TWC-030S250SS

(1) Output Current is adjustable at the factory from 50%-100%
 (2) Measured at full load and 220VAC

Dimensions



Safety and EMC Compliance	
CUL CE	UL8750 EN 61347-1, EN 61347-2-13
EN 55015	Conducted emission
EN 61000-3-2	Harmonic current emissions
EN 61000-3-3	Voltage fluctuations and flicker
EN 61000-4-2	Electrostatic discharge
EN 61000-4-3	RFE Field Susceptibility test
EN 61000-4-4	Electrical Fast Transient
EN 61000-4-6	Conducted Radio Frequency
EN 61000-4-8	Power Frequency Magnetic Field Test
EN 61000-4-11	Voltage Dips
EN 61547	Electromagnetic Immunity

RoHS Compliant

06-08-09