

Thomas Research Products

Innovative & Energy Saving Lighting Controls

BSP3-120 / BSP3-208-240 / BSP3-277 BSP3-347 / BSP3-480 3-Pole LED Driver & Ballast Surge Protectors - Enhanced

The BSP3 series of products are designed to be used in conjunction with electronic fluorescent and HID ballasts and LED Drivers to provide an additional level of surge and transient protection in industrial and commercial applications

Features

- ◆ The BSP3 Series are 3-leaded devices that protect Line-Ground, Line-Neutral, and Neutral-Ground in accordance with IEEE / ANSI C62.41.2 guidelines.

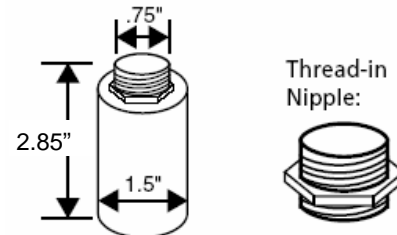
Model	Clamping Voltage	Surge Rating 2mS
BSP3-120	150	120 J
BSP3-208-240	275	190 J
BSP3-277	320	273 J
BSP3-347	420	320 J
BSP3-480	550	360 J

- ◆ BSP3-120 is for use on 120V ballasts/drivers
- ◆ BSP3-277 is for use on 277V or Universal Voltage ballasts/drivers
- ◆ BSP3-347 is for use on 347V ballasts/drivers
- ◆ BSP3-480 is for use on 480V ballasts/drivers
- ◆ Surge current rating = 10,000 Amps using industry standard 8/20 uSec wave
- ◆ High temperature, flameproof plastic enclosure, 85°C maximum surface temp rating
- ◆ Thermally Protected Transient Overvoltage Circuit

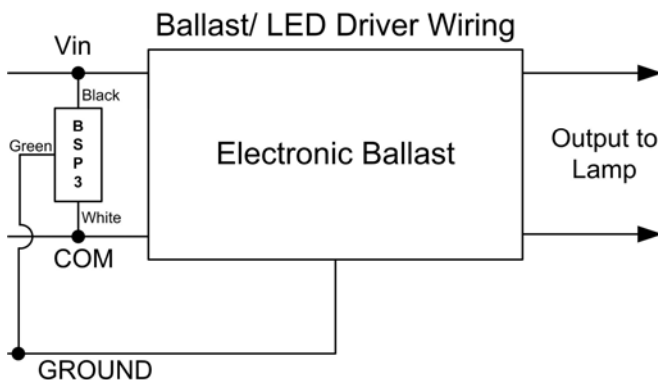


Dimensions

Body: 12" leads, stripped 0.63"



Wiring



RoHS Compliant

10-12-09