

Thomas Research Products

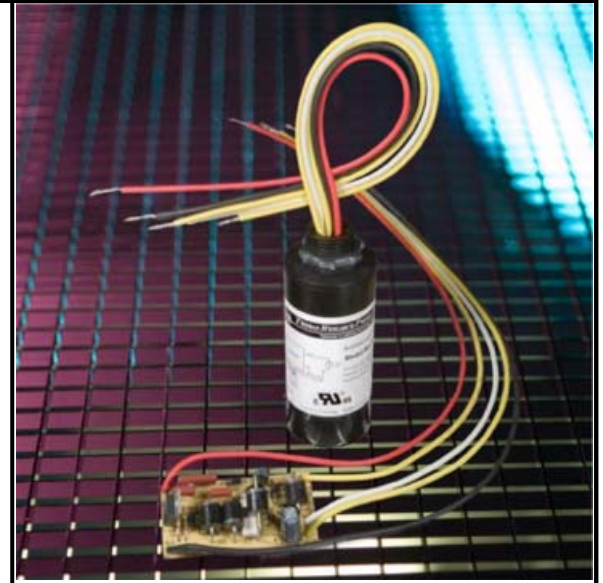
Innovative & Energy Saving Lighting Controls

ASP-AUTO-T Restrike System for use with Electronic HID Ballasts

The ASP-AUTO is an auxiliary lighting control that incorporates a current sense circuit that automatically drives a fluorescent ballast/lamp or quartz halogen lamp when the main HID lamp is extinguished. It has a built-in timer to keep the auxiliary lamp on for 2-3 minutes during the HID lamp warm-up period.

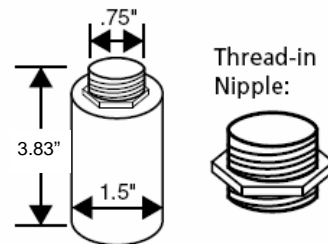
Features

- ◆ For use with electronic HID Ballasts
- ◆ Compact and simple to wire
- ◆ Measures the current drawn by the HID circuit rather than voltage across the circuit allowing use with virtually any type of lamp or ballast circuit
- ◆ Operates on HID circuits from 39-450 watts
- ◆ Operates fluorescent systems up to 250W. Fluorescent Ballast must also be Universal Voltage to work with this system.
- ◆ Operates Quartz Halogen lamps directly off 120V or 277V when used in conjunction with 277:120V step-down transformer per diagram below.
- ◆ Non arcing switches allow the ASP-AUTO-T to be used in Class 1, Division II vapor tight fixtures
- ◆ High temperature, flameproof plastic enclosure, 90°C maximum surface temp rating
- ◆ Timed Version keeps Quartz Lamp illuminated for 2-3 minutes until HID lamp reaches 25-50% brightness
- ◆ Patented Design



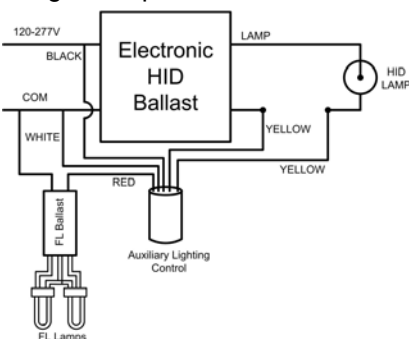
Dimensions

Body: 12" leads, stripped 0.63"

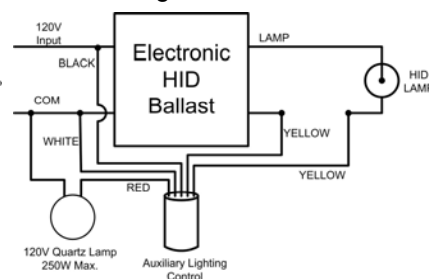


Wiring

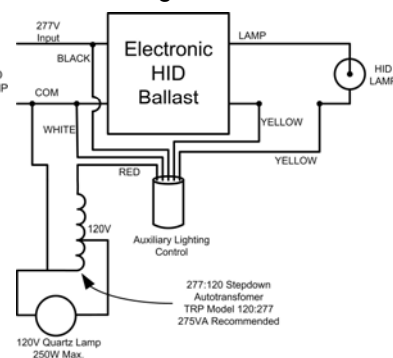
Single Lamp Fluorescent



Quartz Halogen @ 120V



Quartz Halogen @ 277V



01-06-10